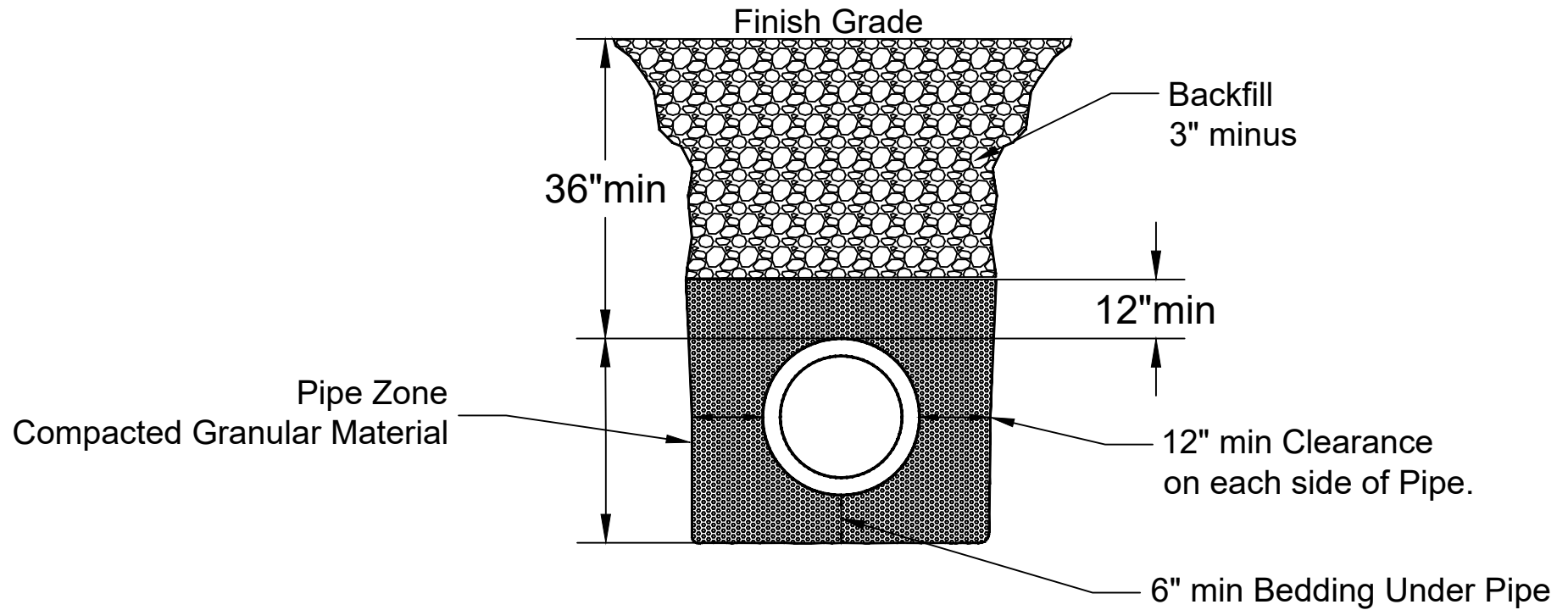


AVION WATER CO, INC.  
 GENERAL TRENCH DETAIL  
 Easements and Private Properties



When Applicable  
**MUST ADHERE TO CITY AND COUNTY  
 ROW SPECIFICATIONS**

Pipe bedded in compact granular material to the centerline of the pipe, 6" minimum under the pipe. Compacted granular or select material to 12" above top of pipe.

FIELD CONDITIONS MAY WARRANT  
 CHANGES TO SPECIFICATIONS

**Trench**