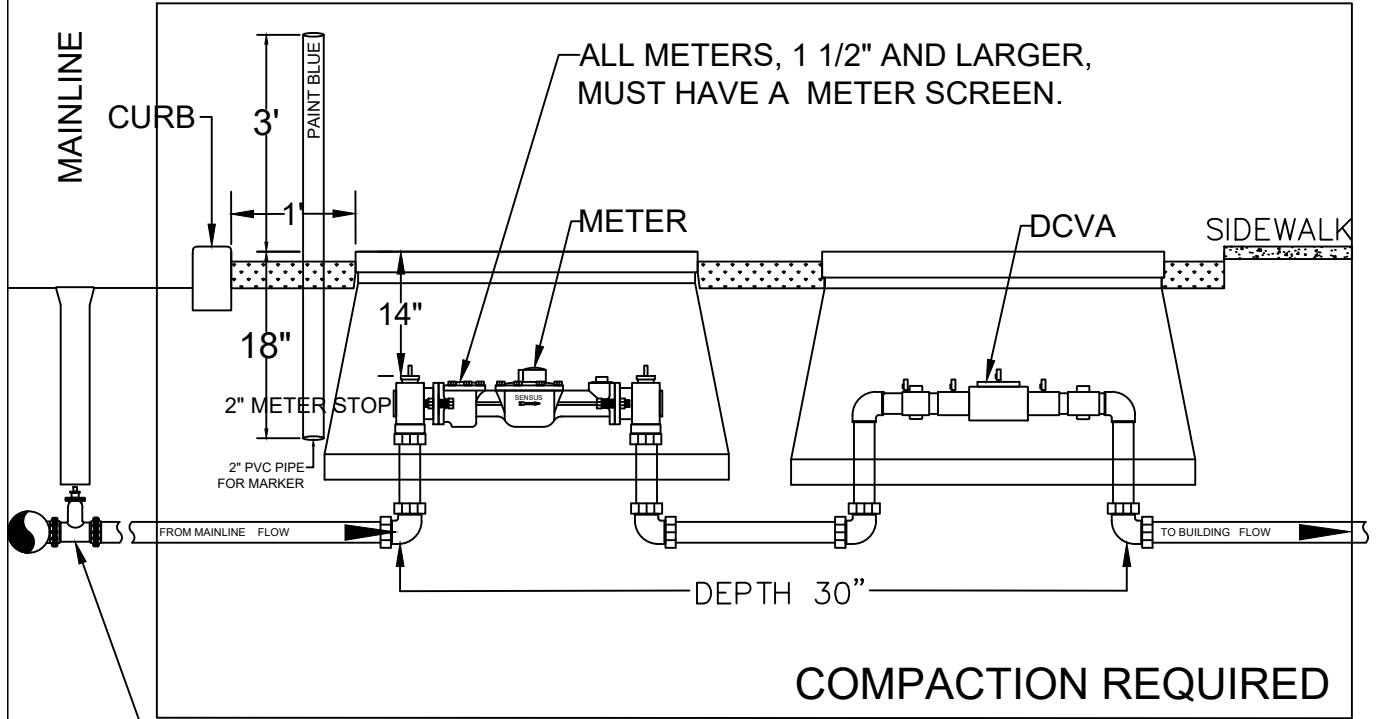


FOR NEW 1 1/2" AND 2" METER & DCVA INSTALLATION

SEE PAGE 6 FOR METER/BPA BOX AND LID SPECIFICATIONS

SIDE VIEW



GATE VALVE MUST BE AT THE MAINLINE, WITH A VALVE TUBE

TOP VIEW

