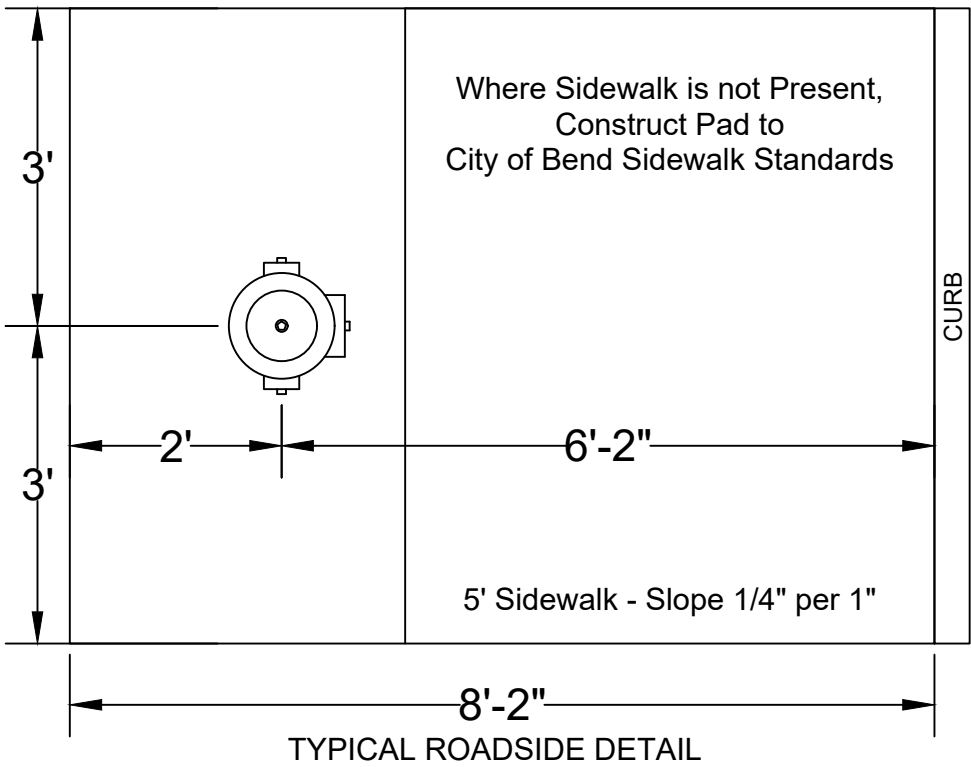
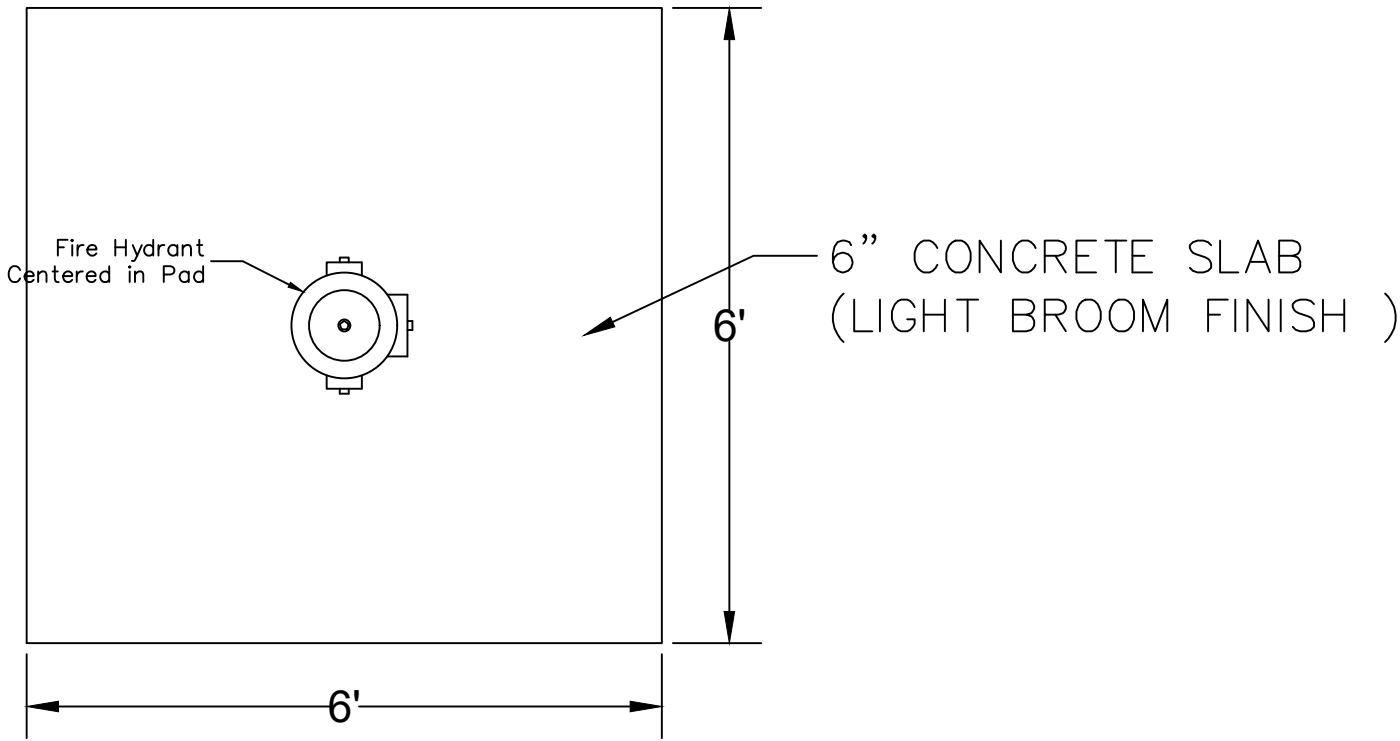


AVION WATER CO HYDRANT PAD DETAILS



ALL PIPE AND HYDRANT PAD SHALL BE
BACKFILLED WITH COMPACTED 3/4"-0, OR EQUIVALENT