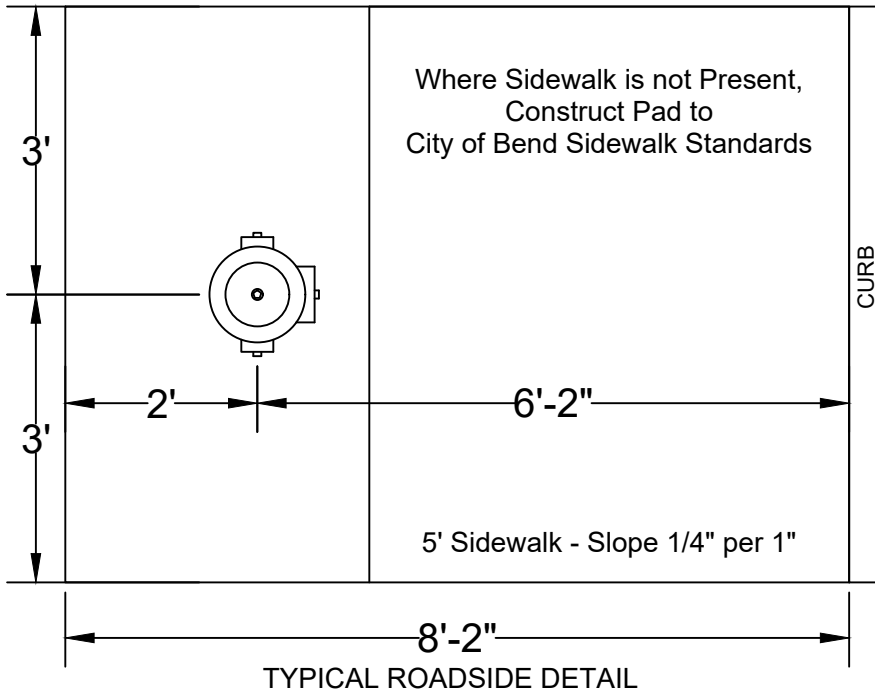
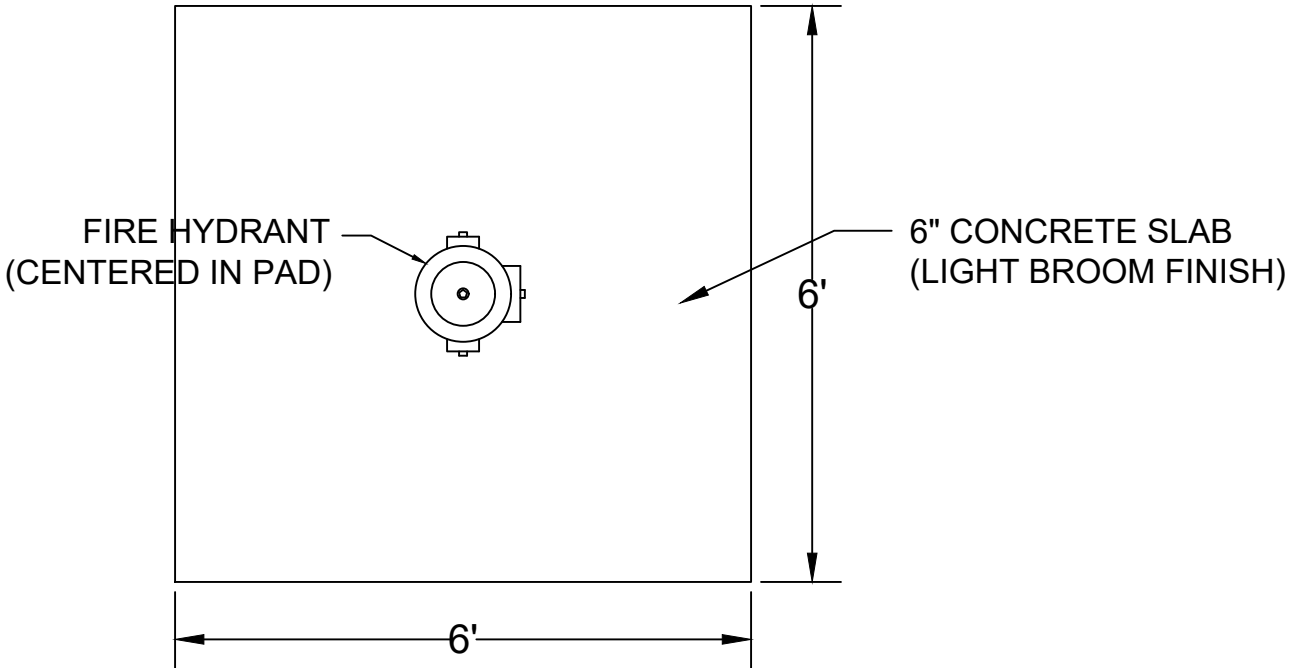


AVION WATER CO Hydrant Pad



ALL PIPE AND HYDRANT PAD SHALL BE
BACKFILLED WITH COMPACTED 3/4"-0, OR EQUIVALENT

DWN BY: TEL	Avion design specifications do not relieve the developer, engineer, or contractor from responsibility to design and construct the water system in accordance with good engineering and construction practices. Must adhere to OAR 333-061-0050 Construction Standards.	<h2 style="margin: 0;">AVION WATER CO</h2> <p style="margin: 0;">60813 PARRELL RD BEND, OR 97702</p> <h1 style="margin: 10px 0 0 0;">HYDRANT PAD</h1>	NOT TO SCALE
DATE: JAN 2022			REV/DATE
<p style="margin: 0; font-size: 8px;">BEND, OREGON</p>			REV/DATE
			REV/DATE