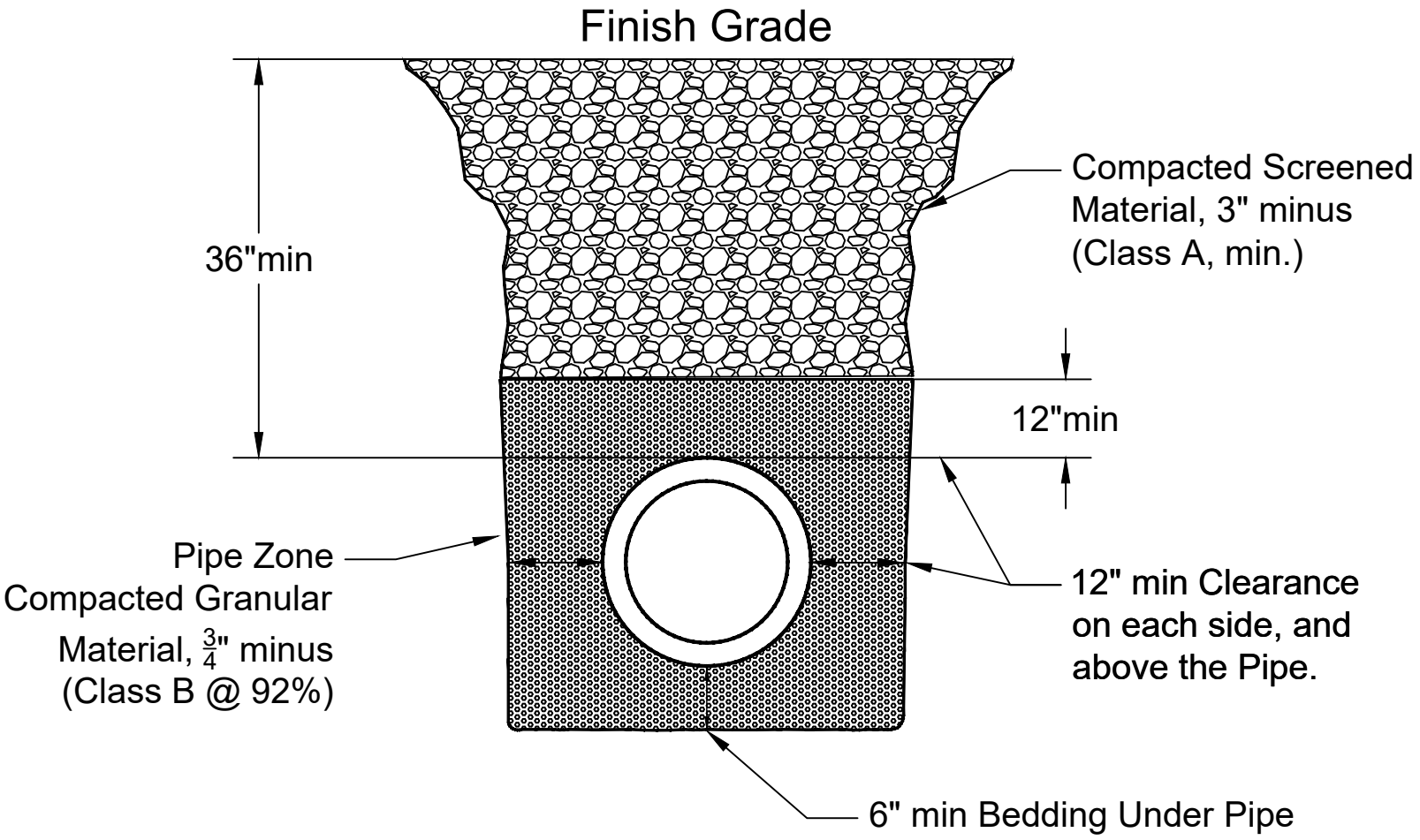


AVION WATER CO, INC.

GENERAL TRENCH DETAIL




NOTES:

1. MUST ADHERE TO CITY AND COUNTY ROW SPECIFICATIONS, when applicable.
2. Pipe bedded in compact granular material to the centerline of the pipe, 6" minimum under the pipe.
3. Compacted granular material, 12" above top of pipe.
4. Compaction testing shall be performed at the top of pipe zone, 12" min above waterline. Compaction testing shall meet 92% and tested every 100ft.

DWN BY: TEL

DATE: April 2022



Avion design specifications do not relieve the developer, engineer, or contractor from responsibility to design and construct the water system in accordance with good engineering and construction practices. Must adhere to OAR 333-061-0050 Construction Standards.

AVION WATER CO
60813 PARRELL RD BEND, OR 97702

GENERAL TRENCH DETAIL

NOT TO SCALE	
REV/DATE	
REV/DATE	
REV/DATE	