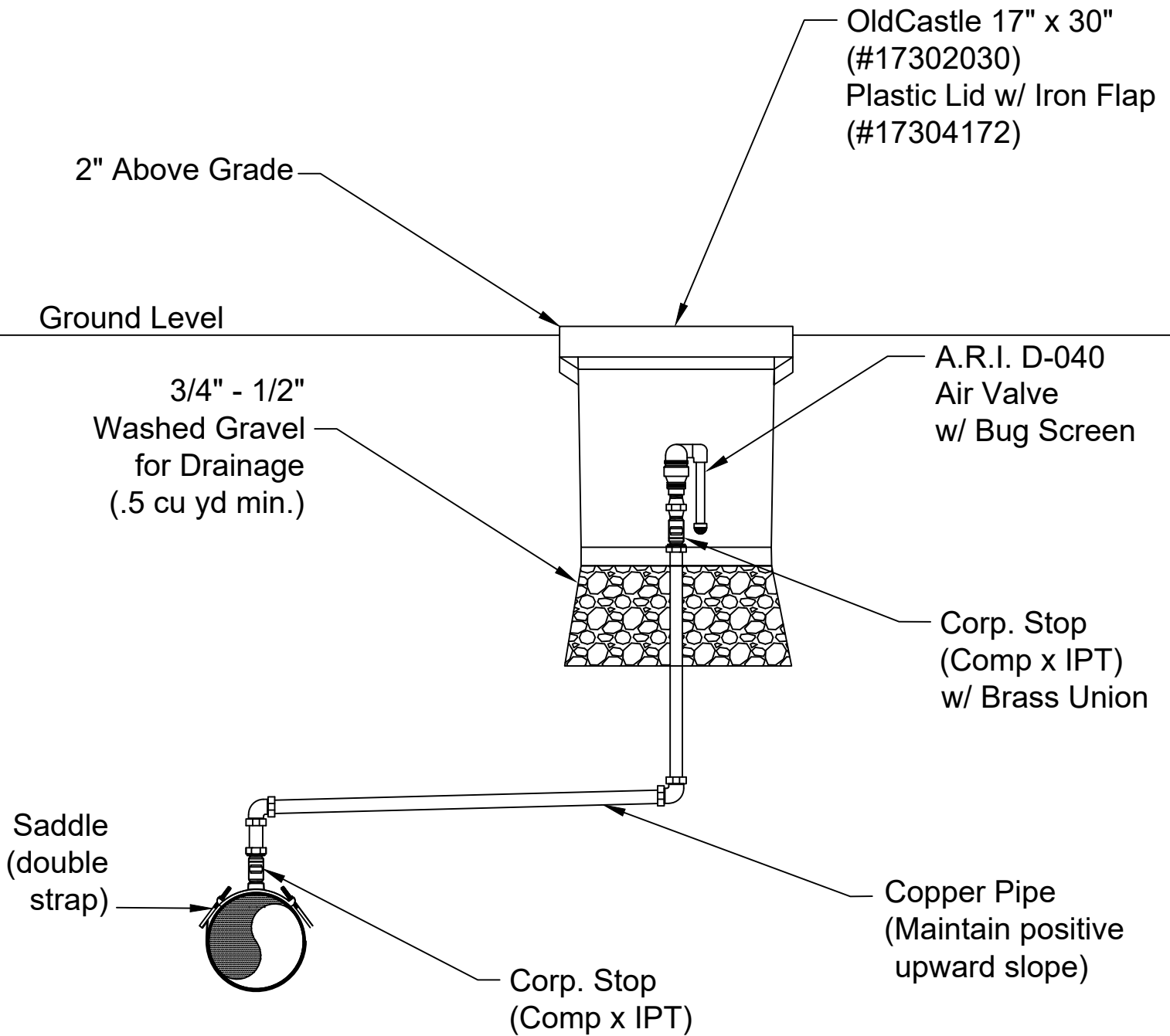


AVION WATER CO

STANDARD AIR RELIEF DETAIL

For In Meter Box Applications



BOX NOT TO BE SET IN HARD SURFACES

NOT TO SCALE

MAINLINE PIPE SIZE	AIR RELIEF (Size Required)	CORP STOP (Size Required)	SADDLE (Size Required)
4" - 12"	1"	1"	(4" - 12") x 1"
14" - 24"	2"	2"	(14" - 24") x 2"