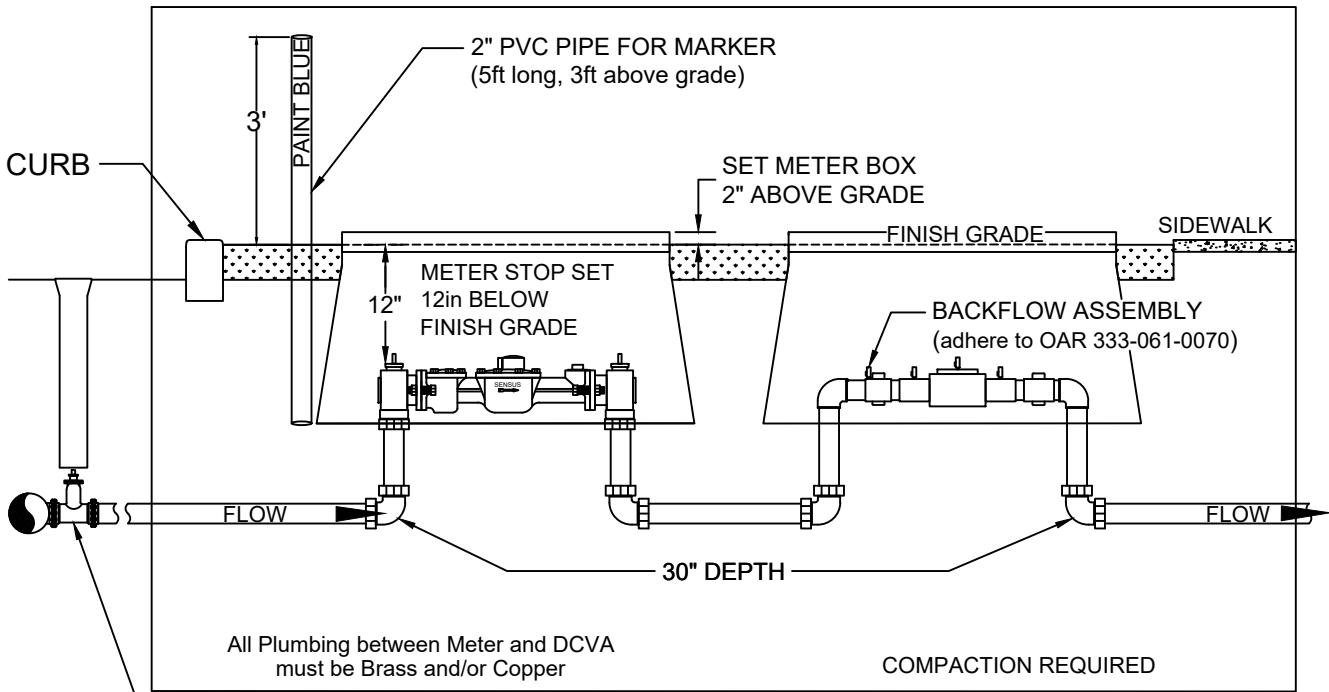
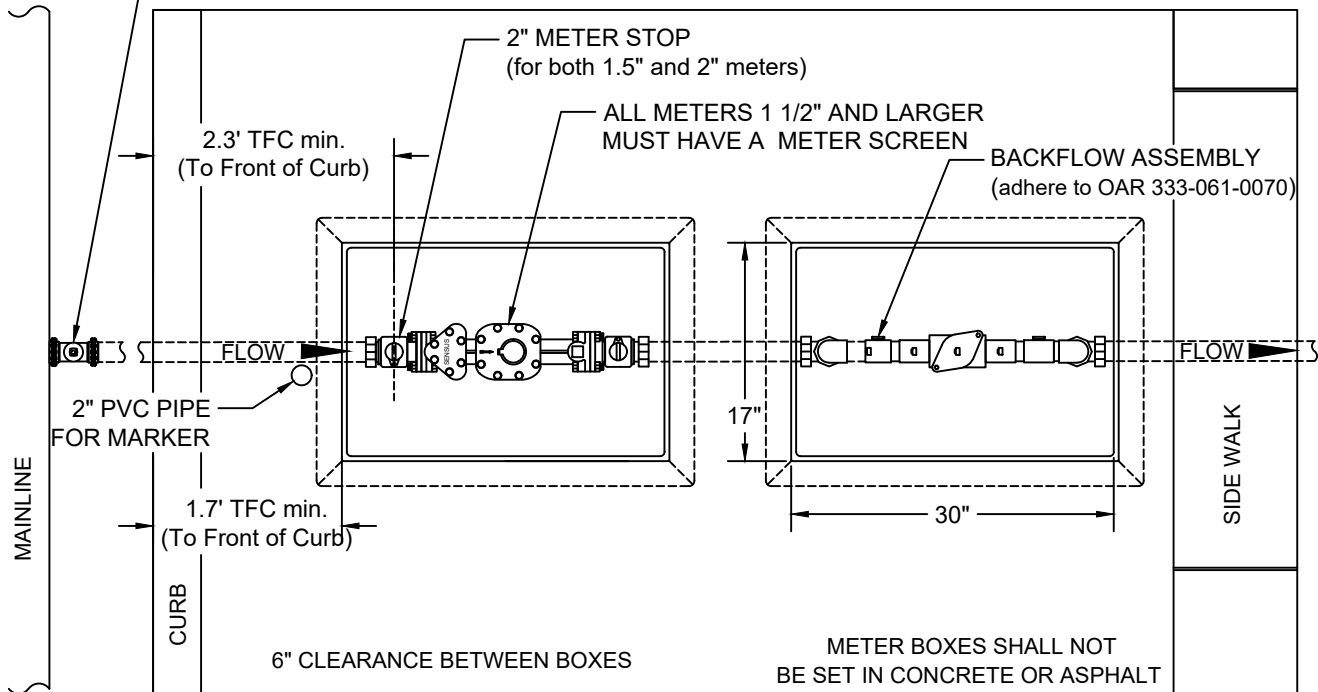


AVION REQUIRES THE "HOT ROD" AMR METER READING SYSTEM ON ALL METERED SERVICES  
 ALL METERS SHALL INCLUDE A "HOT ROD" RADIO TRANSMITTER UNIT




2" GATE VALVE MUST BE AT THE MAINLINE, WITH A VALVE TUBE (2" METER STOP REQUIRED)



FLARED BOXES REQUIRED

SEE POLICY FOR SERVICES FOR METER/BPA BOX AND LID SPECIFICATIONS

DWN BY: TEL	Avion design specifications do not relieve the developer, engineer, or contractor from responsibility to design and construct the water system in accordance with good engineering and construction practices. Must adhere to OAR 333-061-0050 Construction Standards.
DATE: JAN 2021	
 BEND, OREGON	

**AVION WATER CO**  
 60813 PARRELL RD BEND, OR 97702

**1 1/2" & 2" METER INSTALLATION**

NOT TO SCALE	
REV/DATE	
REV/DATE	
REV/DATE	