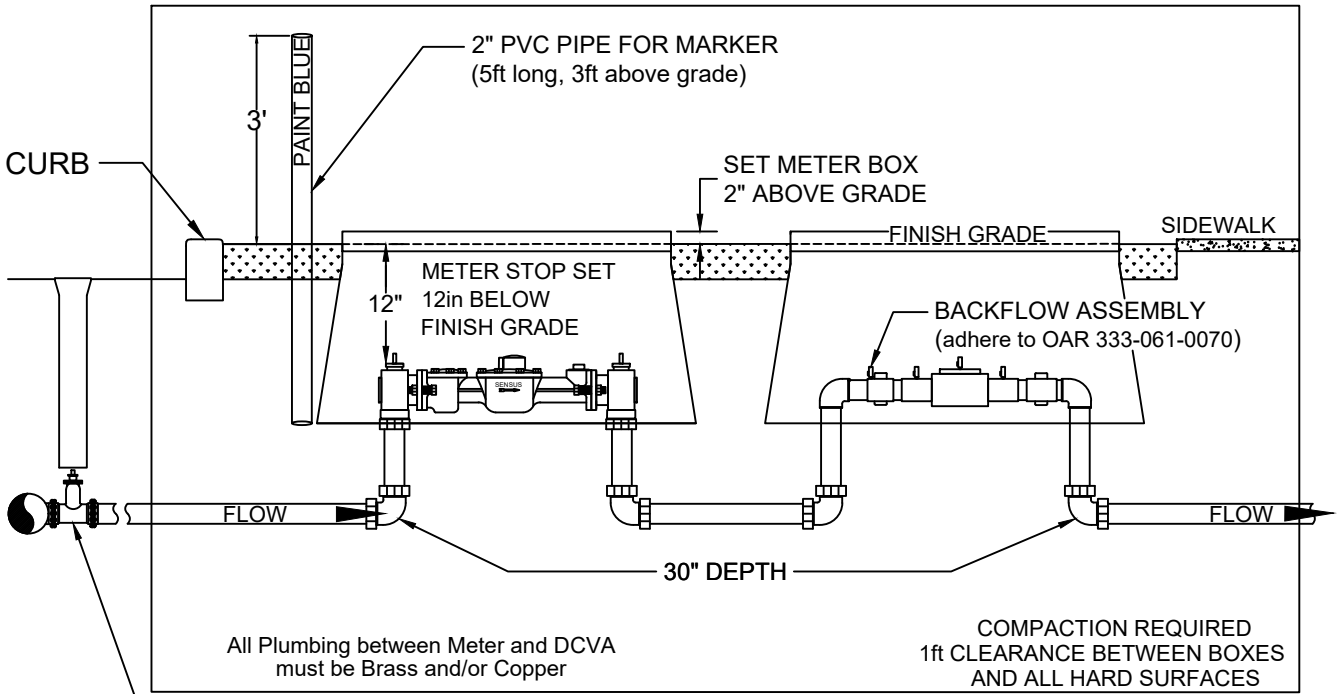


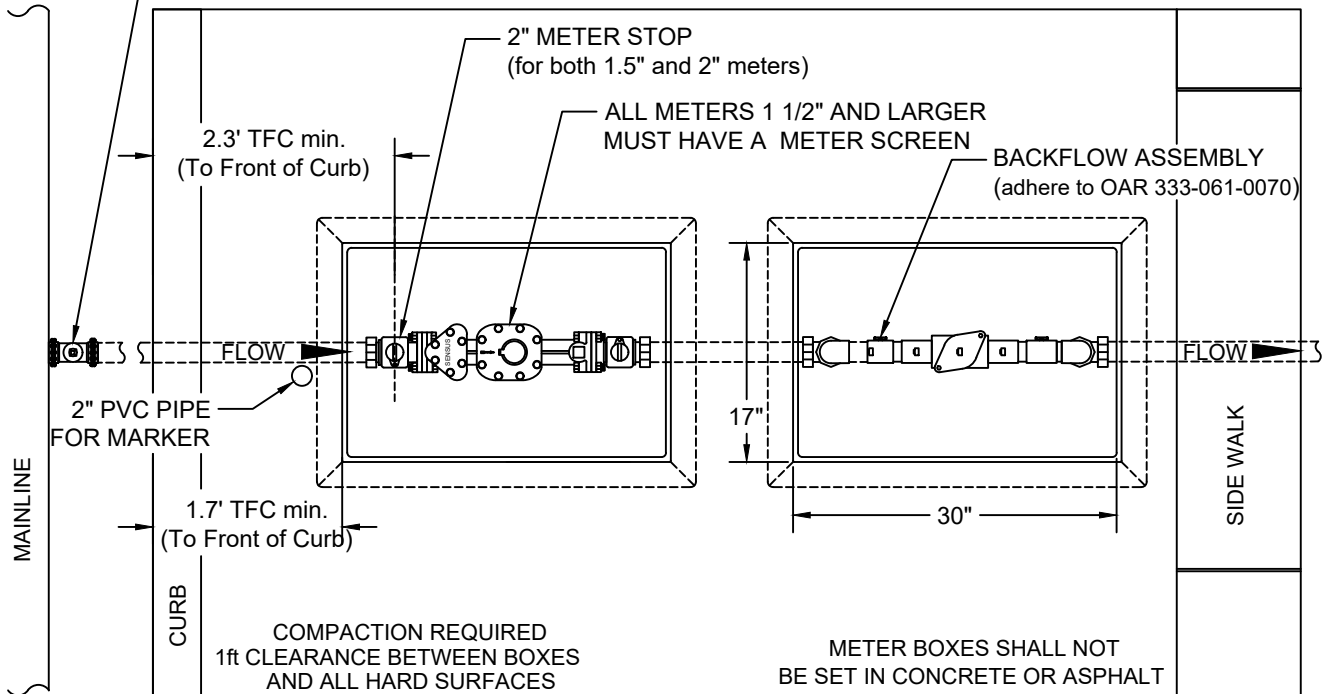
AVION REQUIRES THE "HOT ROD" AMR METER READING SYSTEM ON ALL METERED SERVICES
 ALL METERS SHALL INCLUDE A "HOT ROD" RADIO TRANSMITTER UNIT



All Plumbing between Meter and DCVA must be Brass and/or Copper

COMPACTION REQUIRED
 1ft CLEARANCE BETWEEN BOXES
 AND ALL HARD SURFACES

2" GATE VALVE MUST BE AT THE MAINLINE, WITH A VALVE TUBE (2" METER STOP REQUIRED)



COMPACTION REQUIRED
 1ft CLEARANCE BETWEEN BOXES
 AND ALL HARD SURFACES

METER BOXES SHALL NOT
 BE SET IN CONCRETE OR ASPHALT

FLARED BOXES REQUIRED

SEE POLICY FOR SERVICES
 FOR METER/BPA BOX AND LID SPECIFICATIONS

DWN BY: TEL
 DATE: JAN 2022

Avion design specifications do not relieve the developer, engineer, or contractor from responsibility to design and construct the water system in accordance with good engineering and construction practices. Must adhere to OAR 333-061-0050 Construction Standards.

AVION WATER CO
 60813 PARRELL RD BEND, OR 97702

**1 1/2" & 2" METER
 INSTALLATION**

NOT TO SCALE	
REV/DATE	
REV/DATE	
REV/DATE	