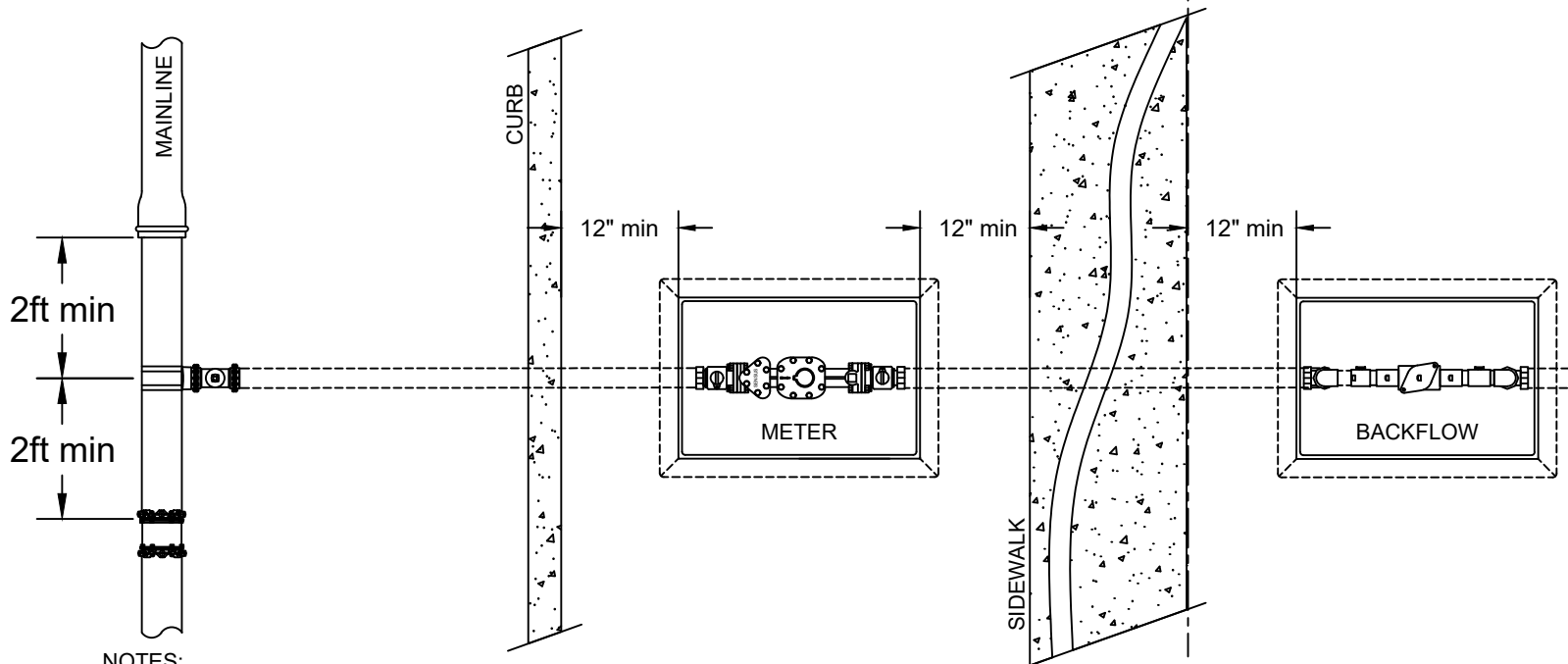
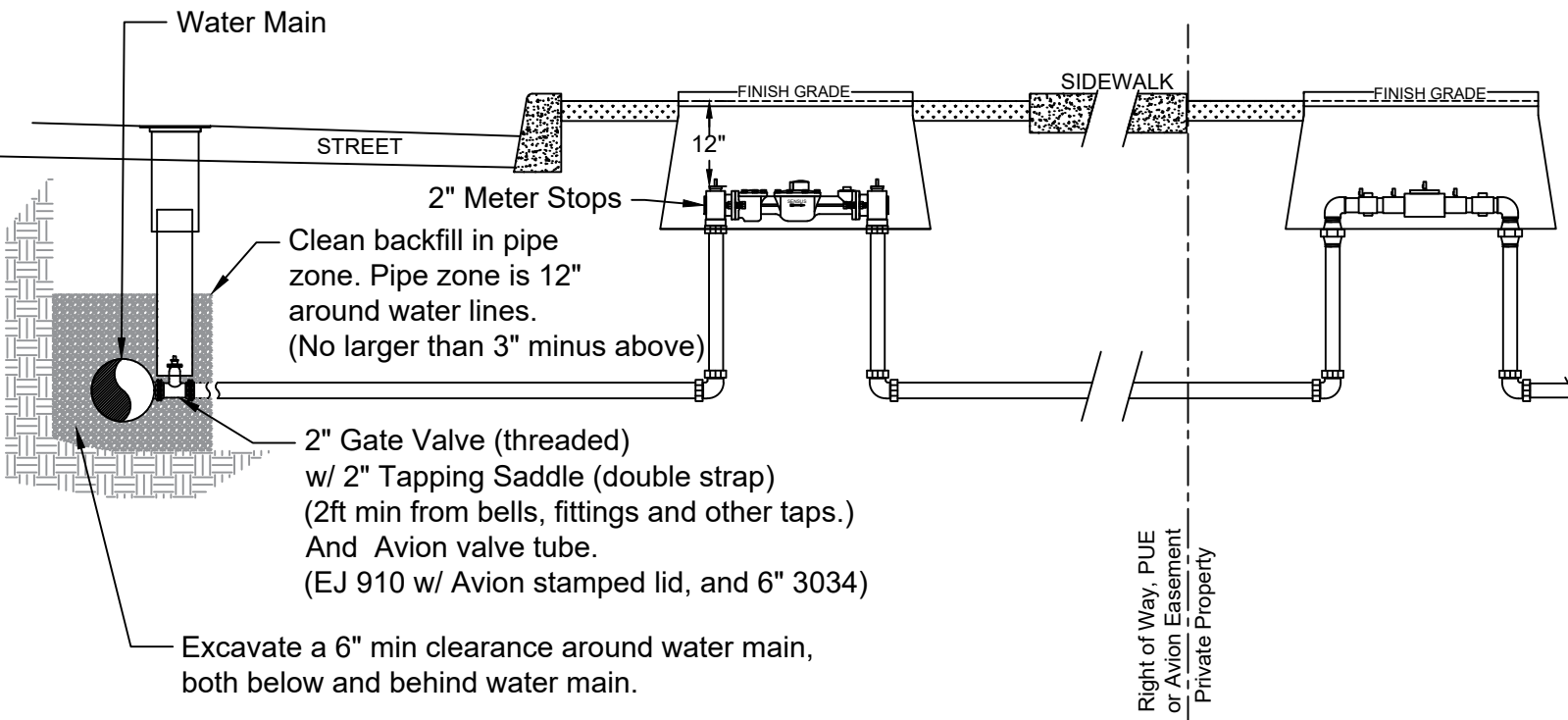


AVION WATER CO

Water Services

1 1/2" and 2" Meters



NOTES:

1. All service sets shall be placed within the ROW, a PUE or Avion Easement. Typically within the green strip between curb and sidewalk. No service, meter, or backflow assembly that falls under Avion tariffs shall be in concrete or asphalt, unless approved by Avion Water. (Driveways, Sidewalks, or Streets)
2. All 1 1/2" and 2" services shall have a 2" GV (threaded) at the water main and 2" meter stops. All water service lines shall be copper, unless approved by Avion Water.
3. Backflow assemblies shall be installed as close as practical to the meter.
4. Refer to "1 1/2" and 2" Meter Installation" Avion Specification Drawings for more detailed meter box installation specifications.

DWN BY: TEL

DATE: Nov 2022

Avion Water
BEND, OREGON

Avion design specifications do not relieve the developer, engineer, or contractor from responsibility to design and construct the water system in accordance with good engineering and construction practices. Must adhere to OAR 333-061-0050 Construction Standards.

AVION WATER CO
60813 PARRELL RD BEND, OR 97702

WATER SERVICES
1 1/2" and 2" Meters

NOT TO SCALE	
REV/DATE	
REV/DATE	
REV/DATE	