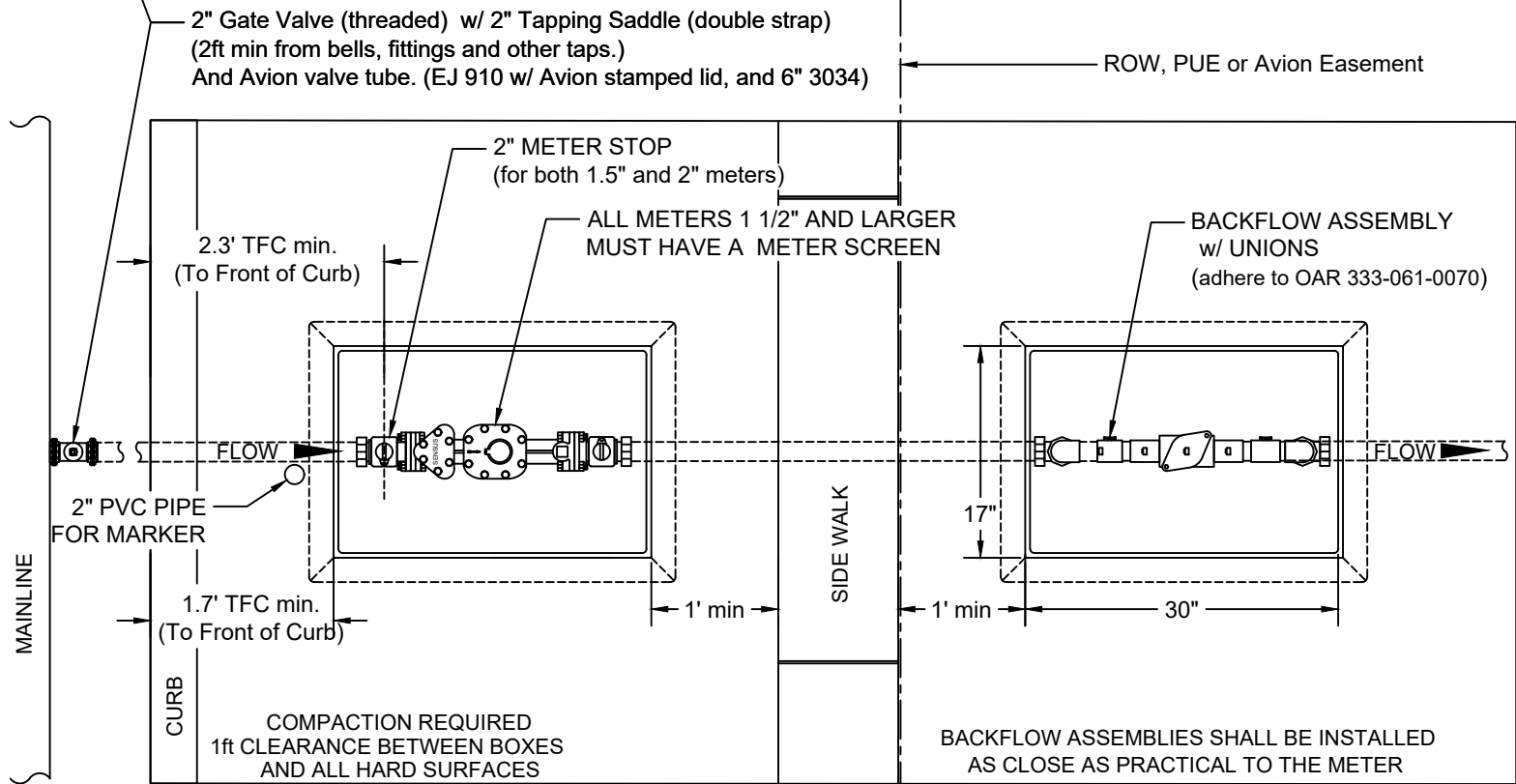
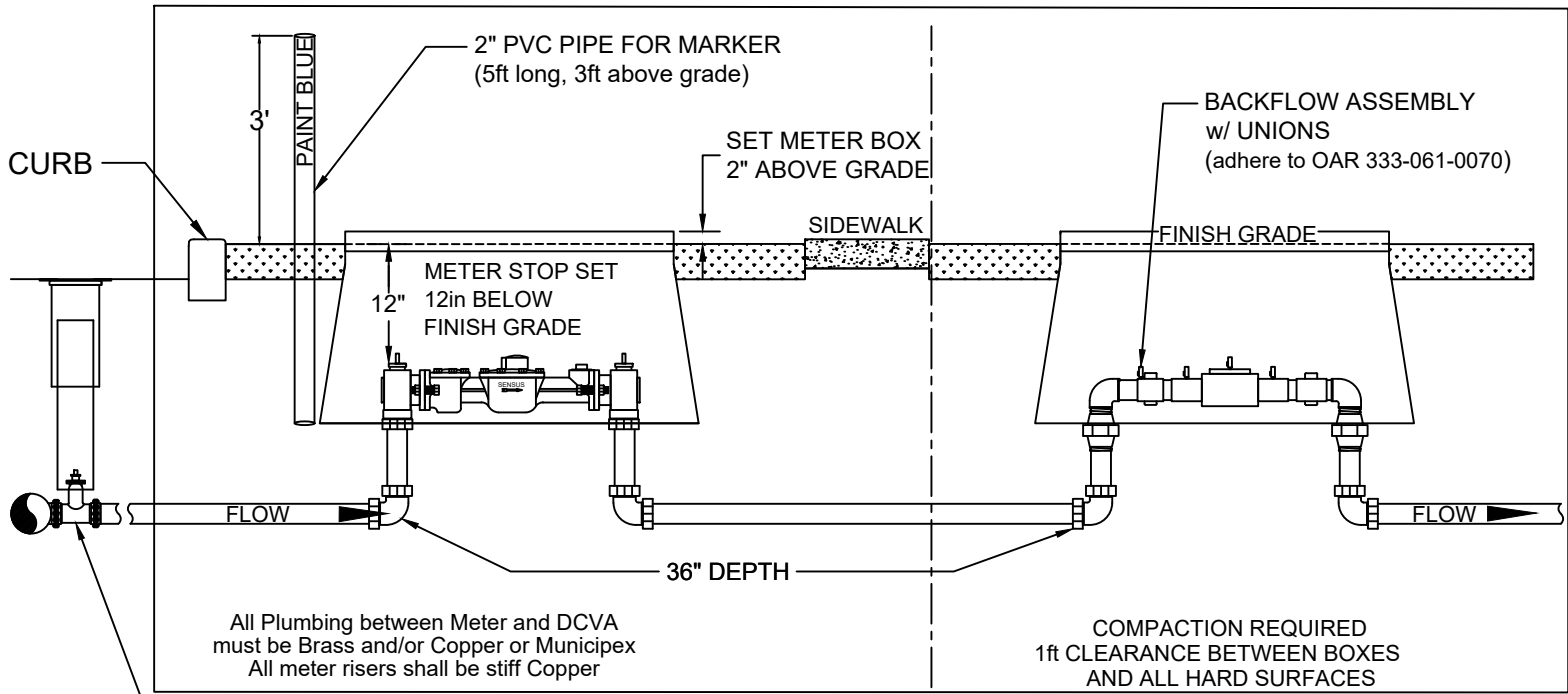


**AVION REQUIRES THE SENSUS CORDONEL WATER METER FOR 1.5" AND 2" APPLICATIONS**  
 AVION WATER USES THE MUELLER "Mi.NET M" AMR METER READING SYSTEM ON ALL METERED SERVICES. ALL METERS SHALL INCLUDE A "Mi.NODE M" RADIO TRANSMITTER UNIT (WITH THE NICOR ADAPTER) AND BATTERY



FLARED BOXES REQUIRED

SEE POLICY FOR SERVICES FOR METER/BPA BOX AND LID SPECIFICATIONS

METER BOXES SHALL NOT BE SET IN CONCRETE OR ASPHALT

DWN BY: TEL

DATE: April 2026

Avion design specifications do not relieve the developer, engineer, or contractor from responsibility to design and construct the water system in accordance with good engineering and construction practices. Must adhere to OAR 333-061-0050 Construction Standards.

**AVION WATER CO**  
 60813 PARRELL RD BEND, OR 97702

**1 1/2" & 2" METER INSTALLATION**

NOT TO SCALE	
REV/DATE	
REV/DATE	
REV/DATE	